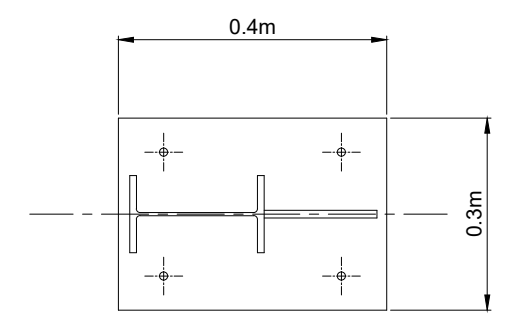


ARMCO BARRIER POST DETAIL



SECTION B-B



ELEVATION A-A



SCALE 1:10

- NOTES:**
1. ALL DIMENSIONS ARE MAXIMUM ANTICIPATED AND SUBJECT TO DETAILED DESIGN.
 2. FOUNDATIONS SHOWN ARE INDICATIVE AND SUBJECT TO DETAILED DESIGN.

2	BM	MK	BS	2025-02-10	UPDATED VEHICLE BARRIER
1	BM	BS	MK	2023-08-09	FIRST ISSUE
ISSUE	DRAWN	CHKD	APPD	DATE	REVISION NOTES
PURPOSE					COORDINATES
PLANNING					N/A
SCALE					DATUM
1:10 @A3					N/A
LAYOUT DRAWING					T-LAYOUT NO
N/A					N/A

PROJECT TITLE
NORTHFLEET GREEN HYDROGEN FACILITY

DRAWING TITLE
TYPICAL VEHICLE BARRIER

RES DRAWING NUMBER	REV
05135-RES-SEC-DR-PT-003	2

THIS DRAWING IS THE PROPERTY OF RENEWABLE ENERGY SYSTEMS LIMITED AND NO REPRODUCTION MAY BE MADE IN WHOLE OR IN PART WITHOUT PERMISSION



BEAUFORT COURT,
 EGG FARM LANE,
 KINGS LANGLEY,
 HERTS WD4 8LR, UK
 TEL +44 (0) 1923 299200
 WWW.RES-GROUP.COM