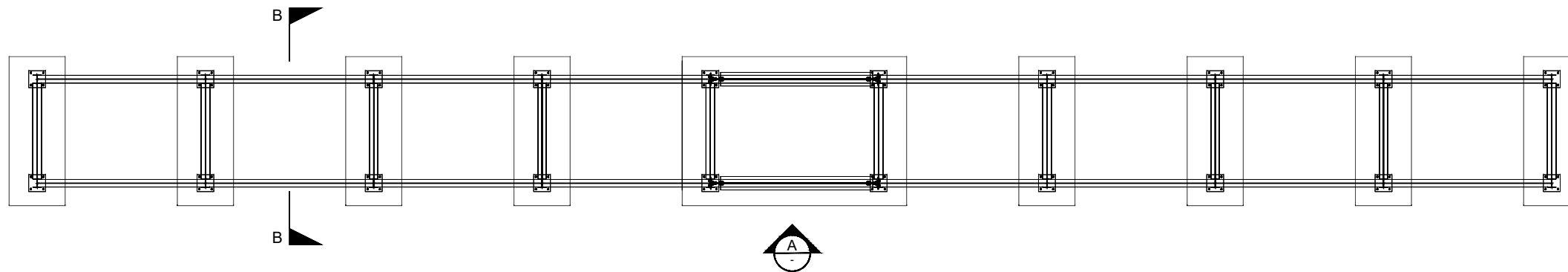
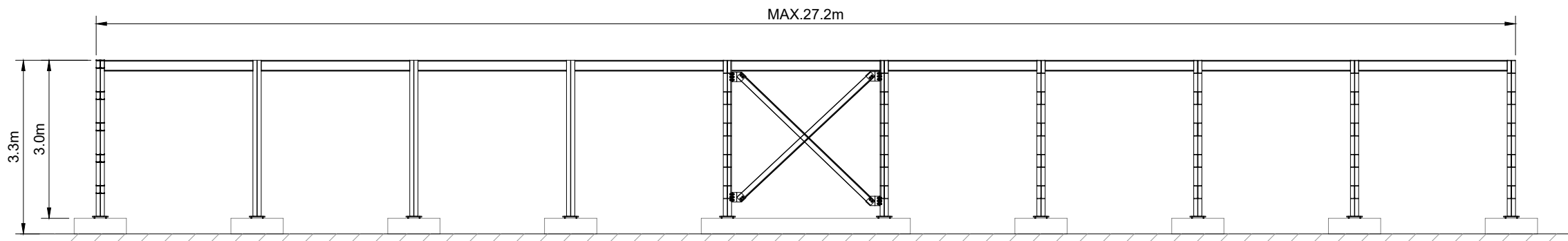


NOTES:

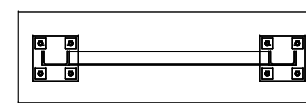
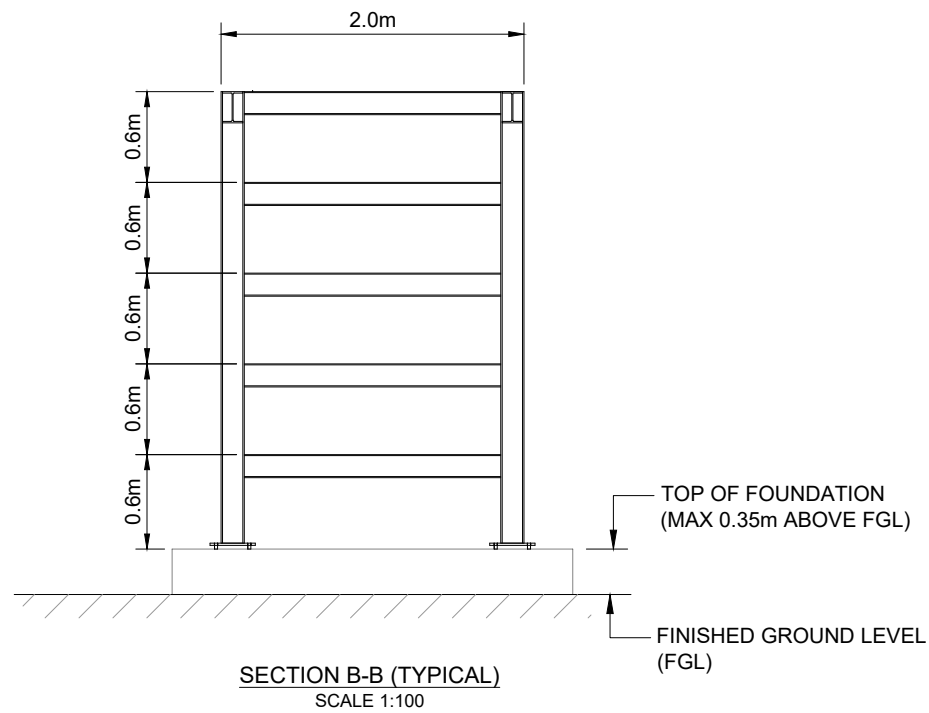
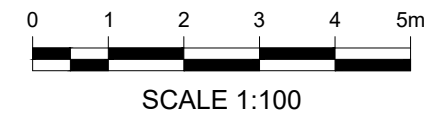
1. ALL DIMENSIONS ARE IN METRES UNLESS OTHERWISE STATED.
2. DETAILS SHOWN ARE INDICATIVE AND SUBJECT TO FINAL DESIGN.
3. ALL DIMENSIONS ARE APPROXIMATE AND SUBJECT TO DETAILED DESIGN.
4. NUMBER OF BAYS SHOWN INDICATIVE ONLY.



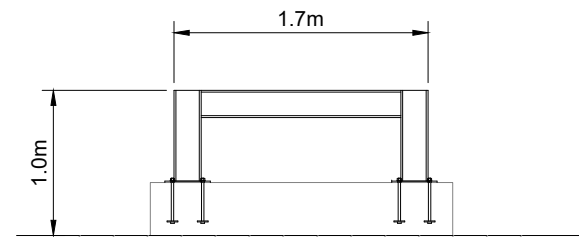
PLAN OF PIPE RACK  
SCALE 1:100



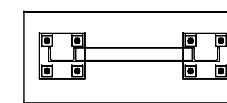
ELEVATION A-A OF PIPE RACK  
SCALE 1:100



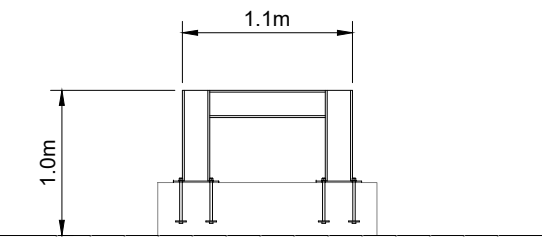
PLAN OF LOW LEVEL PIPE RACK TYPE 1  
SCALE 1:50



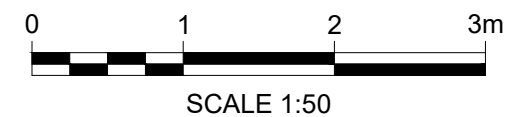
ELEVATION OF LOW LEVEL PIPE RACK TYPE 1  
SCALE 1:50



PLAN OF LOW LEVEL PIPE RACK TYPE 2  
SCALE 1:50



ELEVATION OF LOW LEVEL PIPE RACK TYPE 2  
SCALE 1:50



2	BM	MK	BS	2025-02-10	UPDATED PIPE SUPPORT
1	BM	BS	MK	2023-08-09	FIRST ISSUE
ISSUE	DRAWN	CHKD	APPD	DATE	REVISION NOTES
PURPOSE					COORDINATES
PLANNING					N/A
SCALE					DATUM
AS SHOWN @A3					N/A
LAYOUT DRAWING					T-LAYOUT NO
N/A					N/A
PROJECT TITLE					
NORTHFLEET GREEN HYDROGEN FACILITY					
DRAWING TITLE					
TYPICAL SERVICES SUPPORT FRAME PIPE RACK					
RES DRAWING NUMBER					REV
05135-RES-SDP-DR-PT-001					2

NORTHFLEET GREEN HYDROGEN FACILITY

TYPICAL SERVICES SUPPORT FRAME PIPE RACK

RES DRAWING NUMBER: 05135-RES-SDP-DR-PT-001  
REV: 2

THIS DRAWING IS THE PROPERTY OF RENEWABLE ENERGY SYSTEMS LIMITED AND NO REPRODUCTION MAY BE MADE IN WHOLE OR IN PART WITHOUT PERMISSION



BEAUFORT COURT,  
EGG FARM LANE,  
KINGS LANGLEY,  
HERTS WD4 8LR, UK  
TEL +44 (0) 1923 299200  
WWW.RES-GROUP.COM